

## EPROM Memory Programming Specification

This document includes the programming specifications for the following devices:

- PIC12C508    • PIC12C508A    • PIC12CE518
- PIC12C509    • PIC12C509A    • PIC12CE519

### 1.0 PROGRAMMING THE PIC12C5XX, PIC12C5XXA AND PIC12CE5XX

The PIC12C5XX, PIC12C5XXA and PIC12CE5XX can be programmed using a serial method. Due to this serial programming, the PIC12C5XX, PIC12C5XXA and PIC12CE5XX can be programmed while in the user's system increasing design flexibility. This programming specification applies to PIC12C5XX, PIC12C5XXA and PIC12CE5XX devices in all packages.

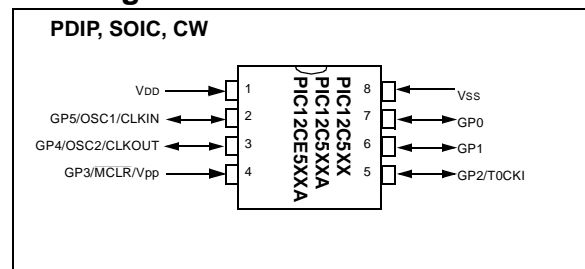
#### 1.1 Hardware Requirements

The PIC12C5XX, PIC12C5XXA and PIC12CE5XX requires two programmable power supplies, one for VDD (2.0V to 6.5V recommended) and one for VPP (12V to 14V). Both supplies should have a minimum resolution of 0.25V.

#### 1.2 Programming Mode

The programming mode for the PIC12C5XX, PIC12C5XXA and PIC12CE5XX allows programming of user program memory, special locations used for ID, and the configuration word for the PIC12C5XX, PIC12C5XXA and PIC12CE5XX.

#### Pin Diagram



#### PIN DESCRIPTIONS (DURING PROGRAMMING): PIC12C508/509, PIC12C508A/509A, PIC12CE518/519

Pin Name	During Programming		
	Pin Name	Pin Type	Pin Description
GP1	CLOCK	I	Clock input
GP0	DATA	I/O	Data input/output
GP3/MCLR/VPP	VPP	P	Programming Power
VDD	VDD	P	Power Supply
VSS	VSS	P	Ground

Legend: I = input, O = Output, P = Power

## 2.0 PROGRAM MODE ENTRY

The program/verify test mode is entered by holding pins DB0 and DB1 low while raising MCLR pin from  $V_{IL}$  to  $V_{IH}$ . Once in this test mode the user program memory and the test program memory can be accessed and programmed in a serial fashion. The first selected memory location is the fuses. **GP0 and GP1 are Schmitt trigger inputs in this mode.**

Incrementing the PC once (using the increment address command) selects location 0x000 of the regular program memory. Afterwards all other memory locations from 0x001-01FF (PIC12C508/CE518), 0x001-03FF (PIC12C509/CE519) can be addressed by incrementing the PC.

If the program counter has reached the last user program location and is incremented again, the on-chip special EPROM area will be addressed. (See Figure 2-2 to determine where the special EPROM area is located for the various PIC12C5XX, PIC12C5XXA and PIC12CE5XX devices).

### 2.1 Programming Method

The programming technique is described in the following section. It is designed to guarantee good programming margins. It does, however, require a variable power supply for VCC.

#### 2.1.1 PROGRAMMING METHOD DETAILS

Essentially, this technique includes the following steps:

1. Perform blank check at  $VDD = VDD_{min}$ . Report failure. The device may not be properly erased.
2. Program location with pulses and verify after each pulse at  $VDD = VDDP$ :  
where  $VDDP = VDD$  range required during programming (4.5V - 5.5V).
  - a) Programming condition:  
 $VPP = 13.0V$  to  $13.25V$   
 $VDD = VDDP = 4.5V$  to  $5.5V$   
 $VPP$  must be  $\geq VDD + 7.25V$  to keep "programming mode" active.
  - b) Verify condition:  
 $VDD = VDDP$   
 $VPP \geq VDD + 7.5V$  but not to exceed  $13.25V$   
If location fails to program after "N" pulses, (suggested maximum program pulses of 8) then report error as a programming failure.

**Note:** Device must be verified at minimum and maximum specified operating voltages as specified in the data sheet.

3. Once location passes "Step 2", apply 11X over-programming, i.e., apply 11 times the number of pulses that were required to program the location. This will guarantee a solid programming margin. The overprogramming should be made "software programmable" for easy updates.
4. Program all locations.

5. Verify all locations (using speed verify mode) at  $VDD = VDD_{min}$
6. Verify all locations at  $VDD = VDD_{max}$   
 $VDD_{min}$  is the minimum operating voltage spec. for the part.  $VDD_{max}$  is the maximum operating voltage spec. for the part.

#### 2.1.2 SYSTEM REQUIREMENTS

Clearly, to implement this technique, the most stringent requirements will be that of the power supplies:

**VPP:** VPP can be a fixed 13.0V to 13.25V supply. It must not exceed 14.0V to avoid damage to the pin and should be current limited to approximately 100mA.

**VDD:** 2.0V to 6.5V with 0.25V granularity. Since this method calls for verification at different VDD values, a programmable VDD power supply is needed.

**Current Requirement:** 40mA maximum

Microchip may release devices in the future with different VDD ranges which make it necessary to have a programmable VDD.

It is important to verify an EPROM at the voltages specified in this method to remain consistent with Microchip's test screening. For example, a PIC12C5XX, PIC12C5XXA and PIC12CE5XX specified for 4.5V to 5.5V should be tested for proper programming from 4.5V to 5.5V.

**Note:** Any programmer not meeting the programmable VDD requirement and the verify at  $VDD_{max}$  and  $VDD_{min}$  requirement may only be classified as "prototype" or "development" programmer but not a production programmer.

#### 2.1.3 SOFTWARE REQUIREMENTS

Certain parameters should be programmable (and therefore easily modified) for easy upgrade.

- a) Pulse width
- b) Maximum number of pulses, present limit 8.
- c) Number of over-programming pulses: should be  $= (A \cdot N) + B$ , where N = number of pulses required in regular programming. In our current algorithm  $A = 11$ ,  $B = 0$ .

### 2.2 Programming Pulse Width

**Program Memory Cells:** When programming one word of EPROM, a programming pulse width (TPW) of 100 $\mu$ s is recommended.

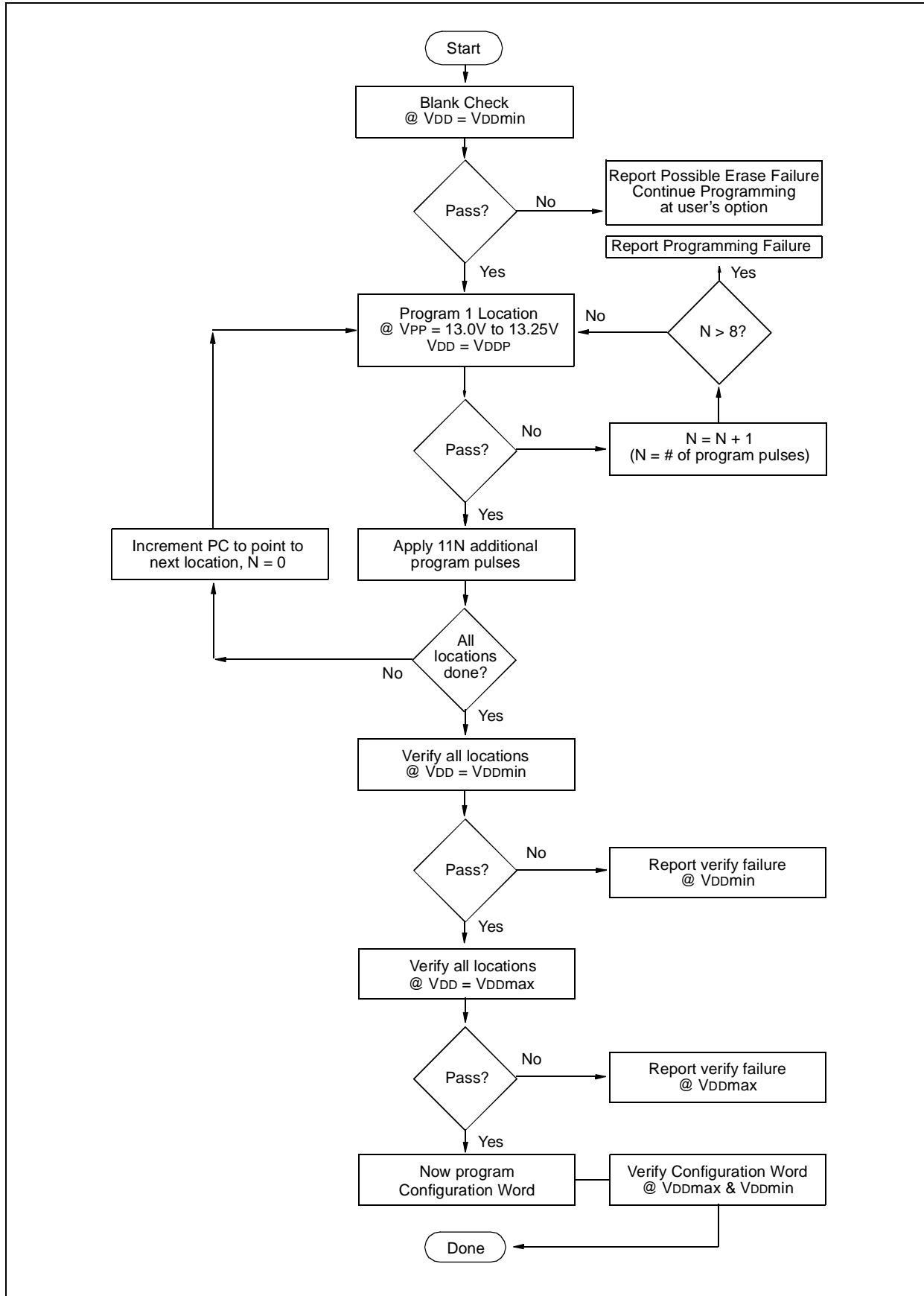
The maximum number of programming attempts should be limited to 8 per word.

After the first successful verify, the same location should be over-programmed with 11X over-programming.

**Configuration Word:** The configuration word for oscillator selection, WDT (watchdog timer) disable and code protection, and MCLR enable, requires a programming pulse width (TPWF) of 10ms. A series of 100 $\mu$ s pulses is preferred over a single 10ms pulse.

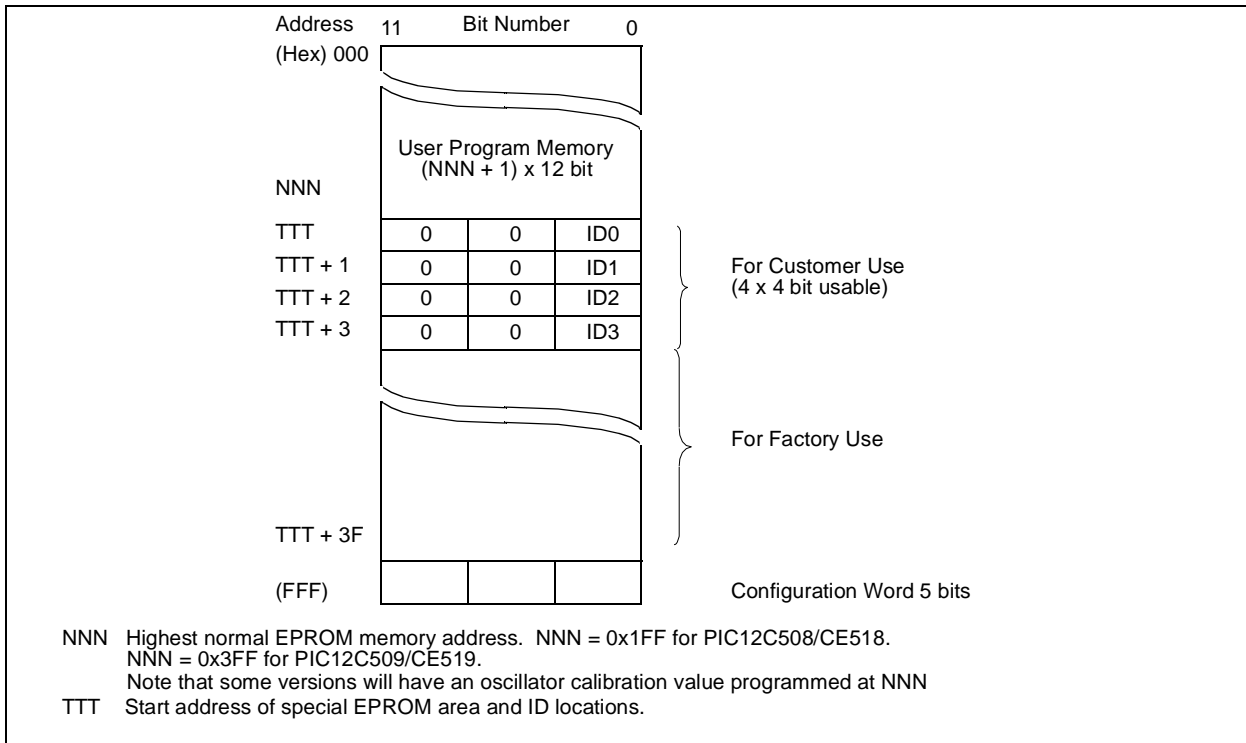
# EPROM Memory Programming Specification

FIGURE 2-1: PROGRAMMING METHOD FLOWCHART



# PIC12C5XX

**FIGURE 2-2: PIC12C5XX, PIC12C5XXA AND PIC12CE5XX SERIES PROGRAM MEMORY MAP IN PROGRAM/VERIFY MODE**



## 2.3 Special Memory Locations

The highest address of program memory space is reserved for the internal RC oscillator calibration value. This location should not be overwritten except when this location is blank, and it should be verified, when programmed, that it is a `MOVLW XX` instruction.

The ID Locations area is only enabled if the device is in programming/verify mode. Thus, in normal operation mode only the memory location 0x000 to 0xNNN will be accessed and the Program Counter will just roll over from address 0xNNN to 0x000 when incremented.

The configuration word can only be accessed immediately after `MCLR` going from `VIL` to `VHH`. The Program Counter will be set to all '1's upon `MCLR = VIL`. Thus, it has the value "0xFFFF" when accessing the configuration EPROM. Incrementing the Program Counter once causes the Program Counter to roll over to all '0's. Incrementing the Program Counter 4K times after reset (`MCLR = VIL`) does not allow access to the configuration EPROM.

### 2.3.1 CUSTOMER ID CODE LOCATIONS

Per definition, the first four words (address TTT to TTT + 3) are reserved for customer use. It is recommended that the customer use only the four lower order bits (bits 0 through 3) of each word and filling the eight higher order bits with '0's.

A user may want to store an identification code (ID) in the ID locations and still be able to read this code after the code protection bit was programmed.

#### EXAMPLE 2-1: CUSTOMER CODE 0xD1E2

The Customer ID code "0xD1E2" should be stored in the ID locations 0x200-0x203 like this (PIC12C508/508A/CE518):

```
200: 0000 0000 1101
201: 0000 0000 0001
202: 0000 0000 1110
203: 0000 0000 0010
```

Reading these four memory locations, even with the code protection bit programmed would still output on GP0 the bit sequence "1101", "0001", "1110", "0010" which is "0xD1E2".

**Note:** All other locations in PICmicro™ configuration memory are reserved and should not be programmed.

# EPROM Memory Programming Specification

## 2.4 Program/Verify Mode

The program/verify mode is entered by holding pins GP1 and GP0 low while raising  $\overline{MCLR}$  pin from  $V_{IL}$  to  $V_{IH}$  (high voltage). Once in this mode the user program memory and the configuration memory can be accessed and programmed in serial fashion. The mode of operation is serial. GP0 and GP1 are Schmitt Trigger inputs in this mode.

The sequence that enters the device into the programming/verify mode places all other logic into the reset state (the  $\overline{MCLR}$  pin was initially at  $V_{IL}$ ). This means that all I/O are in the reset state (High impedance inputs).

**Note:** The  $\overline{MCLR}$  pin should be raised from  $V_{IL}$  to  $V_{IH}$  within 9 ms of  $V_{DD}$  rise. This is to ensure that the device does not have the PC incremented while in valid operation range.

### 2.4.1 PROGRAM/VERIFY OPERATION

The GP1 pin is used as a clock input pin, and the GP0 pin is used for entering command bits and data input/output during serial operation. To input a command, the clock pin (GP1) is cycled six times. Each command bit is latched on the falling edge of the clock with the least significant bit (LSB) of the command being input first. The data on pin GP0 is required to have a minimum setup and hold time (see AC/DC specs) with respect to the falling edge of the clock. Commands that have data associated with them (read and load) are specified to have a minimum delay of 1  $\mu$ s between the command and the data. After this delay the clock pin is cycled 16 times with the first cycle being a start bit and the last cycle being a stop bit. Data is also input and output LSB first. Therefore, during a read operation the LSB will be transmitted onto pin GP0 on the rising edge of the second cycle, and during a load operation the LSB will be latched on the falling edge of the second cycle. A minimum 1  $\mu$ s delay is also specified between consecutive commands.

All commands are transmitted LSB first. Data words are also transmitted LSB first. The data is transmitted on the rising edge and latched on the falling edge of the clock. To allow for decoding of commands and reversal of data pin configuration, a time separation of at least 1  $\mu$ s is required between a command and a data word (or another command).

The commands that are available are listed in Table 2-1.

TABLE 2-1: COMMAND MAPPING

Command	Mapping (MSB ... LSB)	Data
Load Data	0 0 0 0 1 0	0, data(14), 0
Read Data	0 0 0 1 0 0	0, data(14), 0
Increment Address	0 0 0 1 1 0	
Begin programming	0 0 1 0 0 0	
End Programming	0 0 1 1 1 0	

**Note:** The clock must be disabled during in-circuit programming.

## 2.4.1.1 LOAD DATA

After receiving this command, the chip will load in a 14-bit "data word" when 16 cycles are applied, as described previously. Because this is a 12 bit core, the two msb's of the data word are ignored. A timing diagram for the load data command is shown in Figure 5-1.

## 2.4.1.2 READ DATA

After receiving this command, the chip will transmit data bits out of the memory currently accessed starting with the second rising edge of the clock input. The GP0 pin will go into output mode on the second rising clock edge, and it will revert back to input mode (hi-impedance) after the 16th rising edge. Because this is a 12-bit core, the two MSB's of the data are unused and read as '0'. A timing diagram of this command is shown in Figure 5-2.

## 2.4.1.3 INCREMENT ADDRESS

The PC is incremented when this command is received. A timing diagram of this command is shown in Figure 5-3.

## 2.4.1.4 BEGIN PROGRAMMING

**A load data command must be given before every begin programming command.** Programming of the appropriate memory (test program memory or user program memory) will begin after this command is received and decoded. Programming should be performed with a series of 100 $\mu$ s programming pulses. A programming pulse is defined as the time between the begin programming command and the end programming command.

## 2.4.1.5 END PROGRAMMING

After receiving this command, the chip stops programming the memory (configuration program memory or user program memory) that it was programming at the time.

## 2.5 Programming Algorithm Requires Variable VDD

The PIC12C5XX, PIC12C5XXA and PIC12CE5XX uses an intelligent algorithm. The algorithm calls for program verification at VDDmin as well as VDDmax. Verification at VDDmin guarantees good "erase margin". Verification at VDDmax guarantees good "program margin".

The actual programming must be done with VDD in the VDDP range (4.75 - 5.25V).

VDDP = VCC range required during programming.

VDD min. = minimum operating VDD spec for the part.

VDDmax = maximum operating VDD spec for the part.

Programmers must verify the PIC12C5XX, PIC12C5XXA and PIC12CE5XX at its specified VDDmax and VDDmin levels. Since Microchip may introduce future versions of the PIC12C5XX, PIC12C5XXA and PIC12CE5XX with a broader VDD range, it is best that these levels are user selectable (defaults are ok).

<p><b>Note:</b> Any programmer not meeting these requirements may only be classified as "prototype" or "development" programmer but not a "production" quality programmer.</p>
--

# EPROM Memory Programming Specification

## 3.0 CONFIGURATION WORD

The PIC12C5XX, PIC12C5XXA and PIC12CE5XX family members have several configuration bits. These bits can be programmed (reads '0') or left unpro-

grammed (reads '1') to select various device configurations. Figure 3-1 provides an overview of configuration bits.

**FIGURE 3-1: CONFIGURATION WORD BIT MAP**

Bit Number:	11	10	9	8	7	6	5	4	3	2	1	0
PIC12C5XX, PIC12C5XXA and PIC12CE5XX	—	—	—	—	—	—	—	MCLRE	CP	WDTE	FOSC1	FOSC0

bit 11-5: **Reserved**, '-' write as '0' for PIC12C5XX, PIC12C5XXA and PIC12CE5XX

bit 4: **MCLRE**, Master Clear pin Enable Bit  
 0 = MCLR internally connected to Vdd  
 1 = MCLR pin enabled

bit 3: **CP**, Code Protect Enable Bit  
 1 = Code Memory Unprotected  
 0 = Code Memory Protected

bit 2: **WDTE**, WDT Enable Bit  
 1 = WDT enabled  
 0 = WDT disabled

bit 1-0: **FOSC<1:0>**, Oscillator Selection Bit  
 11: ExtRC oscillator  
 10: IntRC oscillator  
 01: XT oscillator  
 00: LP oscillator

# PIC12C5XX

## 4.0 CODE PROTECTION

The program code written into the EPROM can be protected by writing to the CP bit of the configuration word.

In PIC12C5XX, it is still possible to program and read locations 0x000 through 0x03F, after code protection. Once code protection is enabled, all protected segments read '0's (or "garbage values") and are prevented from further programming. All unprotected

segments, including ID locations and configuration word, read normally. These locations can be programmed.

Once code protection is enabled, all code protected locations read 0's. All unprotected segments, including the internal oscillator calibration value, ID, and configuration word read as normal.

### 4.1 Embedding Configuration Word and ID Information in the Hex File

To allow portability of code, the programmer is required to read the configuration word and ID locations from the hex file when loading the hex file. If configuration word information was not present in the hex file then a simple warning message may be issued. Similarly, while saving a hex file, configuration word and ID information must be included. An option to not include this information may be provided.

Microchip Technology Inc. feels strongly that this feature is important for the benefit of the end customer.

**TABLE 4-1: CODE PROTECTION**

#### PIC12C508

To code protect:

- (CP enable pattern: XXXXXXXX0XXX)

Program Memory Segment	R/W in Protected Mode	R/W in Unprotected Mode
Configuration Word (0xFFFF)	Read Enabled, Write Enabled	Read Enabled, Write Enabled
[0x00:0x3F]	Read Enabled, Write Enabled	Read Enabled, Write Enabled
[0x40:0x1FF]	Read Disabled (all 0's), Write Disabled	Read Enabled, Write Enabled
ID Locations (0x200 : 0x203)	Read Enabled, Write Enabled	Read Enabled, Write Enabled

#### PIC12C508A

To code protect:

- (CP enable pattern: XXXXXXXX0XXX)

Program Memory Segment	R/W in Protected Mode	R/W in Unprotected Mode
Configuration Word (0xFFFF)	Read enabled, Write Enabled	Read enabled, Write Enabled
[0x00:0x3F]	Read enabled, Write Enabled	Read enabled, Write Enabled
[0x40:0x1FE]	Read disabled (all 0's), Write Disabled	Read enabled, Write Enabled
0x1FF Oscillator Calibration Value	Read enabled, Write Enabled	Read enabled, Write Enabled
ID Locations (0x200 : 0x203)	Read enabled, Write Enabled	Read enabled, Write Enabled

#### PIC12C509

To code protect:

- (CP enable pattern: XXXXXXXX0XXX)

Program Memory Segment	R/W in Protected Mode	R/W in Unprotected Mode
Configuration Word (0xFFFF)	Read enabled, Write Enabled	Read enabled, Write Enabled
[0x00:0x3F]	Read enabled, Write Enabled	Read enabled, Write Enabled
[0x40:0x3FF]	Read disabled (all 0's), Write Disabled	Read enabled, Write Enabled
ID Locations (0x400 : 0x403)	Read enabled, Write Enabled	Read enabled, Write Enabled



# EPROM Memory Programming Specification

## PIC12C509A

### To code protect:

- (CP enable pattern: XXXXXXXX0XXX)

Program Memory Segment	R/W in Protected Mode	R/W in Unprotected Mode
Configuration Word (0xFFFF)	Read enabled, Write Enabled	Read enabled, Write Enabled
[0x00:0x3F]	Read enabled, Write Enabled	Read enabled, Write Enabled
[0x40:0x3FE]	Read disabled (all 0's), Write Disabled	Read enabled, Write Enabled
0x3FF Oscillator Calibration Value	Read enabled, Write Enabled	Read enabled, Write Enabled
ID Locations (0x400 : 0x403)	Read enabled, Write Enabled	Read enabled, Write Enabled

## PIC12CE518

### To code protect:

- (CP enable pattern: XXXXXXXX0XXX)

Program Memory Segment	R/W in Protected Mode	R/W in Unprotected Mode
Configuration Word (0xFFFF)	Read enabled, Write Enabled	Read enabled, Write Enabled
[0x00:0x3F]	Read enabled, Write Enabled	Read enabled, Write Enabled
[0x40:0x1FE]	Read disabled (all 0's), Write Disabled	Read enabled, Write Enabled
0x1FF Oscillator Calibration Value	Read enabled, Write Enabled	Read enabled, Write Enabled
ID Locations (0x200 : 0x203)	Read enabled, Write Enabled	Read enabled, Write Enabled

## PIC12CE519

### To code protect:

- (CP enable pattern: XXXXXXXX0XXX)

Program Memory Segment	R/W in Protected Mode	R/W in Unprotected Mode
Configuration Word (0xFFFF)	Read enabled, Write Enabled	Read enabled, Write Enabled
[0x00:0x3F]	Read enabled, Write Enabled	Read enabled, Write Enabled
[0x40:0x3FF]	Read disabled (all 0's), Write Disabled	Read enabled, Write Enabled
ID Locations (0x400 : 0x403)	Read enabled, Write Enabled	Read enabled, Write Enabled

# PIC12C5XX

## 4.2 Checksum

### 4.2.1 CHECKSUM CALCULATIONS

Checksum is calculated by reading the contents of the PIC12C5XX, PIC12C5XXA and PIC12CE5XX memory locations and adding up the opcodes up to the maximum user addressable location, (not including the last location which is reserved for the oscillator calibration value) e.g., 0x1FE for the PIC12C508/CE518. Any carry bits exceeding 16-bits are neglected. Finally, the configuration word (appropriately masked) is added to the checksum. Checksum computation for each member of the PIC12C5XX, PIC12C5XXA and PIC12CE5XX family is shown in Table 4-2.

The checksum is calculated by summing the following:

- The contents of all program memory locations
- The configuration word, appropriately masked
- Masked ID locations (when applicable)

The least significant 16 bits of this sum is the checksum.

The following table describes how to calculate the checksum for each device. Note that the checksum calculation differs depending on the code protect setting. Since the program memory locations read out differently depending on the code protect setting, the table describes how to manipulate the actual program memory values to simulate the values that would be read from a protected device. When calculating a checksum by reading a device, the entire program memory can simply be read and summed. The configuration word and ID locations can always be read.

The oscillator calibration value location is not used in the above checksums.

**TABLE 4-2: CHECKSUM COMPUTATION**

Device	Code Protect	Checksum*	Blank Value	0x723 at 0 and max address
PIC12C508	OFF ON	SUM[0x000:0x1FE] + CFGW & 0x01F SUM[0x000:0x03F] + CFGW & 0x01F + SUM(IDS)	EE20 EDF7	DC68 D363
PIC12C508A	OFF ON	SUM[0x000:0x1FE] + CFGW & 0x01F SUM[0x000:0x03F] + CFGW & 0x01F + SUM(IDS)	EE20 EDF7	DC68 D363
PIC12C509	OFF ON	SUM[0x000:0x3FE] + CFGW & 0x01F SUM[0x000:0x03F] + CFGW & 0x01F + SUM(IDS)	EC20 EBF7	DA68 D163
PIC12C509A	OFF ON	SUM[0x000:0x3FE] + CFGW & 0x01F SUM[0x000:0x03F] + CFGW & 0x01F + SUM(IDS)	EC20 EBF7	DA68 D163
PIC12CE518	OFF ON	SUM[0x000:0x1FE] + CFGW & 0x01F SUM[0x000:0x03F] + CFGW & 0x01F + SUM(IDS)	EE20 EDF7	DC68 D363
PIC12CE519	OFF ON	SUM[0x000:0x3FE] + CFGW & 0x01F SUM[0x000:0x03F] + CFGW & 0x01F + SUM(IDS)	EC20 EBF7	DA68 D163

Legend: CFGW = Configuration Word

SUM[a:b] = [Sum of locations a through b inclusive]

SUM\_ID = ID locations masked by 0xF then made into a 16-bit value with ID0 as the most significant nibble. For example,

ID0 = 0x12, ID1 = 0x37, ID2 = 0x4, ID3 = 0x26, then SUM\_ID = 0x2746.

\*Checksum = [Sum of all the individual expressions] **MODULO** [0xFFFF]

+ = Addition

& = Bitwise AND

# EPROM Memory Programming Specification

## 5.0 PROGRAM/VERIFY MODE ELECTRICAL CHARACTERISTICS

**TABLE 5-1: AC/DC CHARACTERISTICS  
TIMING REQUIREMENTS FOR PROGRAM/VERIFY MODE**

<b>Standard Operating Conditions</b>							
Operating Temperature: $+10^{\circ}\text{C} \leq T_A \leq +40^{\circ}\text{C}$ , unless otherwise stated, ( $20^{\circ}\text{C}$ recommended)							
Operating Voltage: $4.5\text{V} \leq V_{DD} \leq 5.5\text{V}$ , unless otherwise stated.							
Parameter No.	Sym.	Characteristic	Min.	Typ.	Max.	Units	Conditions
<b>General</b>							
PD1	VDDP	Supply voltage during programming	4.75	5.0	5.25	V	
PD2	IDDP	Supply current (from VDD) during programming			20	mA	
PD3	VDDV	Supply voltage during verify	VDDmin		VDDmax	V	Note 1
PD4	VIHH1	Voltage on $\overline{\text{MCLR}}/\text{VPP}$ during programming	12.75		13.25	V	Note 2
PD5	VIHH2	Voltage on $\overline{\text{MCLR}}/\text{VPP}$ during verify	VDD + 4.0		13.5		
PD6	I <sub>PP</sub>	Programming supply current (from VPP)			50	mA	
PD9	VIH1	(GP1, GP0) input high level	0.8 VDD			V	Schmitt Trigger input
PD8	VIL1	(GP1, GP0) input low level	0.2 VDD			V	Schmitt Trigger input

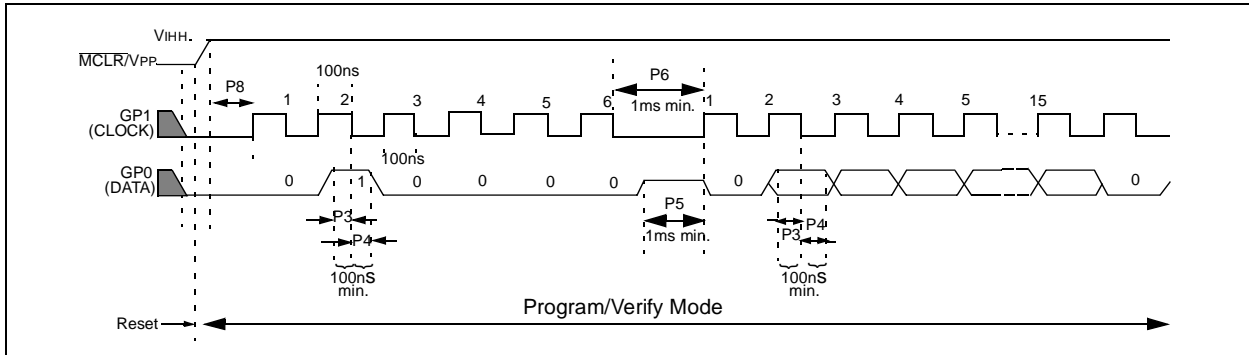
<b>Serial Program Verify</b>							
P1	T <sub>R</sub>	$\overline{\text{MCLR}}/\text{VPP}$ rise time (VSS to VHH)			8.0	μs	
P2	T <sub>f</sub>	$\overline{\text{MCLR}}$ Fall time			8.0	μs	
P3	T <sub>set1</sub>	Data in setup time before clock ↓	100			ns	
P4	T <sub>hd1</sub>	Data in hold time after clock ↓	100			ns	
P5	T <sub>dly1</sub>	Data input not driven to next clock input (delay required between command/data or command/command)	1.0			μs	
P6	T <sub>dly2</sub>	Delay between clock ↓ to clock ↑ of next command or data	1.0			μs	
P7	T <sub>dly3</sub>	Clock ↑ to data out valid (during read data)	200			ns	
P8	T <sub>hd0</sub>	Hold time after $\overline{\text{MCLR}}$ ↑	2			μs	

Note 1: Program must be verified at the minimum and maximum VDD limits for the part.

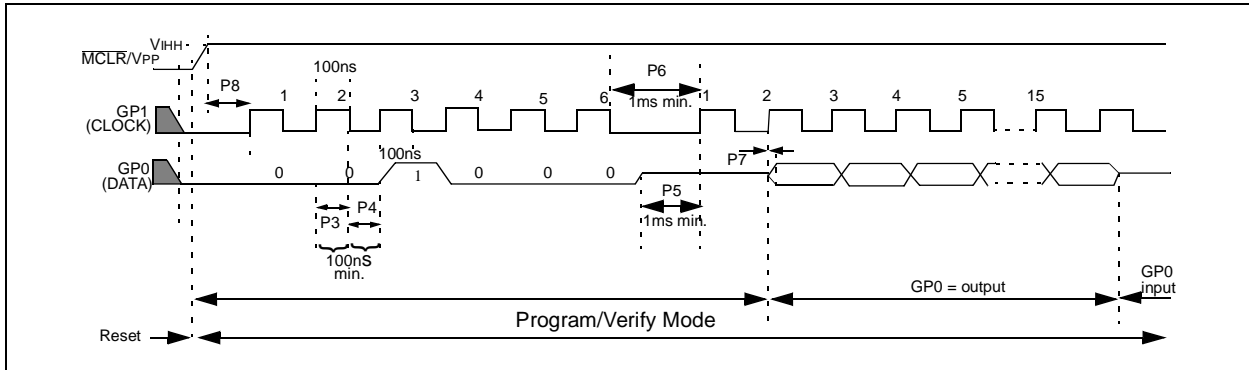
Note 2: VIHH must be greater than VDD + 4.5V to stay in programming/verify mode.

# PIC12C5XX

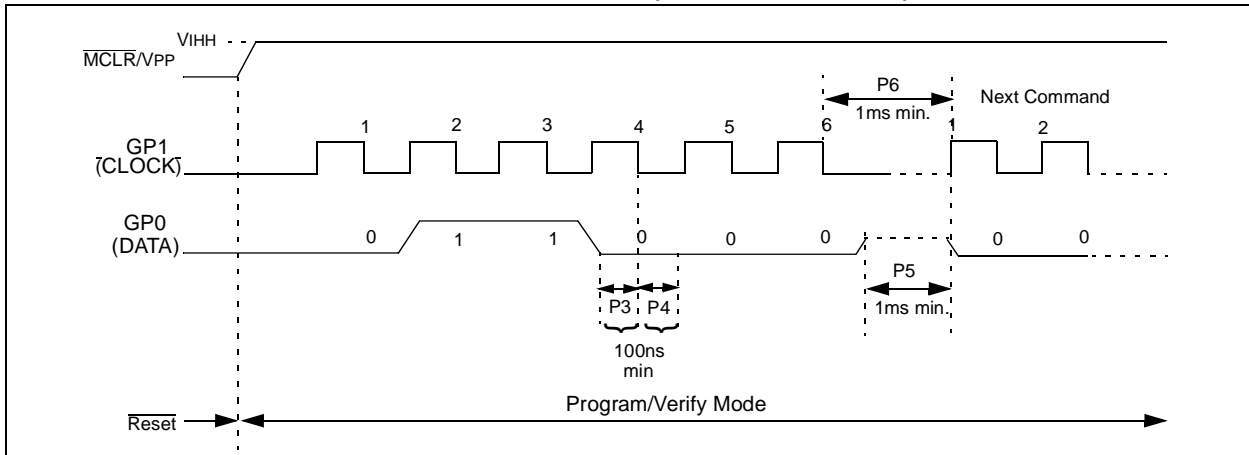
**FIGURE 5-1: LOAD DATA COMMAND (PROGRAM/VERIFY)**



**FIGURE 5-2: READ DATA COMMAND (PROGRAM/VERIFY)**



**FIGURE 5-3: INCREMENT ADDRESS COMMAND (PROGRAM/VERIFY)**



# **EPROM Memory Programming Specification**

NOTES:

# PIC12C5XX

---

NOTES:

# **EPROM Memory Programming Specification**

NOTES:



## WORLDWIDE SALES AND SERVICE

### AMERICAS

#### Corporate Office

Microchip Technology Inc.  
2355 West Chandler Blvd.  
Chandler, AZ 85224-6199  
Tel: 480-786-7200 Fax: 480-786-7277  
Technical Support: 480-786-7627  
Web Address: <http://www.microchip.com>

#### Atlanta

Microchip Technology Inc.  
500 Sugar Mill Road, Suite 200B  
Atlanta, GA 30350  
Tel: 770-640-0034 Fax: 770-640-0307

#### Boston

Microchip Technology Inc.  
5 Mount Royal Avenue  
Marlborough, MA 01752  
Tel: 508-480-9990 Fax: 508-480-8575

#### Chicago

Microchip Technology Inc.  
333 Pierce Road, Suite 180  
Itasca, IL 60143  
Tel: 630-285-0071 Fax: 630-285-0075

#### Dallas

Microchip Technology Inc.  
4570 Westgrove Drive, Suite 160  
Addison, TX 75248  
Tel: 972-818-7423 Fax: 972-818-2924

#### Dayton

Microchip Technology Inc.  
Two Prestige Place, Suite 150  
Miamisburg, OH 45342  
Tel: 937-291-1654 Fax: 937-291-9175

#### Detroit

Microchip Technology Inc.  
Tri-Atria Office Building  
32255 Northwestern Highway, Suite 190  
Farmington Hills, MI 48334  
Tel: 248-538-2250 Fax: 248-538-2260

#### Los Angeles

Microchip Technology Inc.  
18201 Von Karman, Suite 1090  
Irvine, CA 92612  
Tel: 949-263-1888 Fax: 949-263-1338

#### New York

Microchip Technology Inc.  
150 Motor Parkway, Suite 202  
Hauppauge, NY 11788  
Tel: 631-273-5305 Fax: 631-273-5335

#### San Jose

Microchip Technology Inc.  
2107 North First Street, Suite 590  
San Jose, CA 95131  
Tel: 408-436-7950 Fax: 408-436-7955

### AMERICAS (continued)

#### Toronto

Microchip Technology Inc.  
5925 Airport Road, Suite 200  
Mississauga, Ontario L4V 1W1, Canada  
Tel: 905-405-6279 Fax: 905-405-6253

### ASIA/PACIFIC

#### Hong Kong

Microchip Asia Pacific  
Unit 2101, Tower 2  
Metroplaza  
223 Hing Fong Road  
Kwai Fong, N.T., Hong Kong  
Tel: 852-2-401-1200 Fax: 852-2-401-3431

#### Beijing

Microchip Technology, Beijing  
Unit 915, 6 Chaoyangmen Bei Dajie  
Dong Erhuan Road, Dongcheng District  
New China Hong Kong Manhattan Building  
Beijing 100027 PRC  
Tel: 86-10-85282100 Fax: 86-10-85282104

#### India

Microchip Technology Inc.  
India Liaison Office  
No. 6, Legacy, Convent Road  
Bangalore 560 025, India  
Tel: 91-80-229-0061 Fax: 91-80-229-0062

#### Japan

Microchip Technology Intl. Inc.  
Benex S-1 6F  
3-18-20, Shinyokohama  
Kohoku-Ku, Yokohama-shi  
Kanagawa 222-0033 Japan  
Tel: 81-45-471-6166 Fax: 81-45-471-6122

#### Korea

Microchip Technology Korea  
168-1, Youngbo Bldg. 3 Floor  
Samsung-Dong, Kangnam-Ku  
Seoul, Korea  
Tel: 82-2-554-7200 Fax: 82-2-558-5934

#### Shanghai

Microchip Technology  
RM 406 Shanghai Golden Bridge Bldg.  
2077 Yan'an Road West, Hong Qiao District  
Shanghai, PRC 200335  
Tel: 86-21-6275-5700 Fax: 86 21-6275-5060

### ASIA/PACIFIC (continued)

#### Singapore

Microchip Technology Singapore Pte Ltd.  
200 Middle Road  
#07-02 Prime Centre  
Singapore 188980  
Tel: 65-334-8870 Fax: 65-334-8850

#### Taiwan, R.O.C

Microchip Technology Taiwan  
10F-1C 207  
Tung Hua North Road  
Taipei, Taiwan, ROC  
Tel: 886-2-2717-7175 Fax: 886-2-2545-0139

### EUROPE

#### United Kingdom

Arizona Microchip Technology Ltd.  
505 Eskdale Road  
Wokingham  
Berkshire, England RG41 5TU  
Tel: 44 118 921 5858 Fax: 44-118 921-5835

#### Denmark

Microchip Technology Denmark ApS  
Regus Business Centre  
Lautrup hof 1-3  
Ballerup DK-2750 Denmark  
Tel: 45 4420 9895 Fax: 45 4420 9910

#### France

Arizona Microchip Technology SARL  
Parc d'Activite du Moulin de Massy  
43 Rue du Saule Trapu  
Batiment A - 1er Etage  
91300 Massy, France  
Tel: 33-1-69-53-63-20 Fax: 33-1-69-30-90-79

#### Germany

Arizona Microchip Technology GmbH  
Gustav-Heinemann-Ring 125  
D-81739 München, Germany  
Tel: 49-89-627-144 0 Fax: 49-89-627-144-44

#### Italy

Arizona Microchip Technology SRL  
Centro Direzionale Colleoni  
Palazzo Taurus 1 V. Le Colleoni 1  
20041 Agrate Brianza  
Milan, Italy  
Tel: 39-039-65791-1 Fax: 39-039-6899883

11/15/99



Microchip received QS-9000 quality system certification for its worldwide headquarters, design and water fabrication facilities in Chandler and Tempe, Arizona in July 1999. The Company's quality system processes and procedures are QS-9000 compliant for its PICmicro® 8-bit MCUs, KEELOC® code hopping devices, Serial EEPROMs and microperipheral products. In addition, Microchip's quality system for the design and manufacture of development systems is ISO 9001 certified.

All rights reserved. © 1999 Microchip Technology Incorporated. Printed in the USA. 11/99 Printed on recycled paper.

Information contained in this publication regarding device applications and the like is intended for suggestion only and may be superseded by updates. No representation or warranty is given and no liability is assumed by Microchip Technology Incorporated with respect to the accuracy or use of such information, or infringement of patents or other intellectual property rights arising from such use or otherwise. Use of Microchip's products as critical components in life support systems is not authorized except with express written approval by Microchip. No licenses are conveyed, implicitly or otherwise, under any intellectual property rights. The Microchip logo and name are registered trademarks of Microchip Technology Inc. in the U.S.A. and other countries. All rights reserved. All other trademarks mentioned herein are the property of their respective companies.