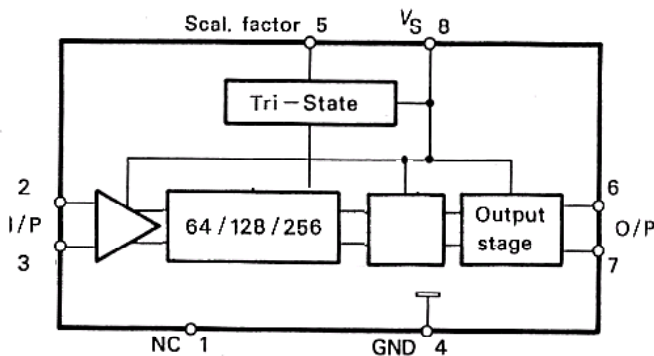


# Prescaler for TV and VTR purposes

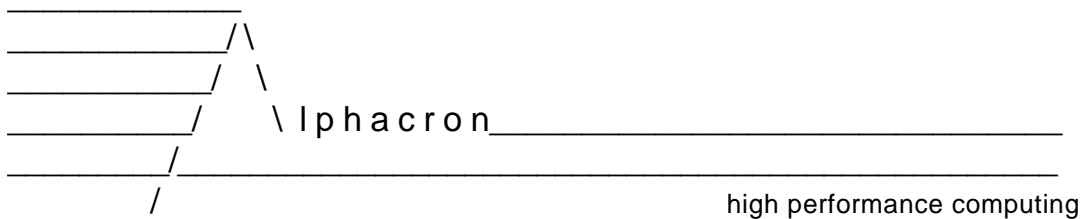
## U 891 BS / U 891 BS-FP / 1,1 GHz

Supply voltage range	Pin 8	$V_S$	4,5 ... 5,5 V
Supply current	Pin 4	$I_S$	17 mA
Input sensitivity	Pin 2,3		10 mV
$f_i = 70 \dots 1000$ MHz, $R_G = 50$ Ohm			15 mV
$f_i = 1000 \dots 1100$ MHz	Pin 2,3	$V_i$	300 mV
Large signal Compatibility			
Balanced ECL output			
Voltage switching each output		$V_o$	0,6 $V_{pp}$
$C_1$ 13pf, SF = 1:64			
Switching voltage for scaling	Pin 5	64 $V_{SF}$	open
		128 $V_{SF}$	$V_S \dots 0,5$ V
		256 $V_{SF}$	0 ... 0,3 V



Pin compatible to U 813 BS

This document is manually refreshed and without any warranty!!!



AlphaCron Datensysteme  
Wandersleber Strasse 1a  
99192 Apfelstaedt  
(GERMANY)

[www.alphacron.de](http://www.alphacron.de)

